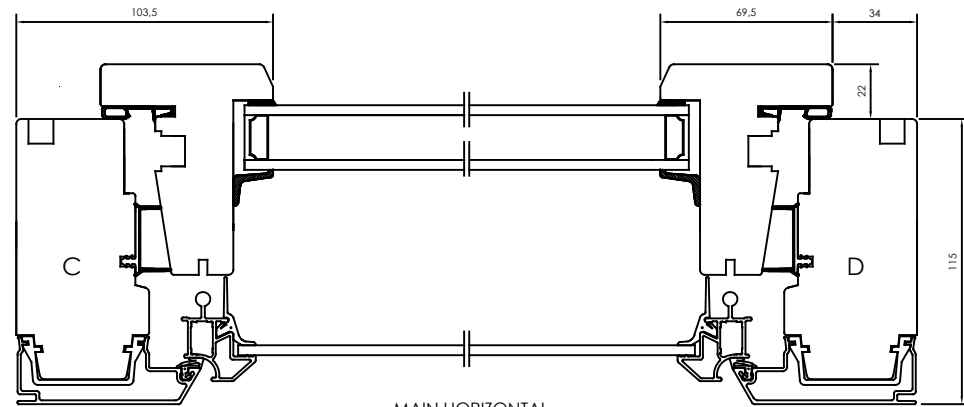


HORIZONTAL CS OPTION
- Two horizontal abutting sashes.

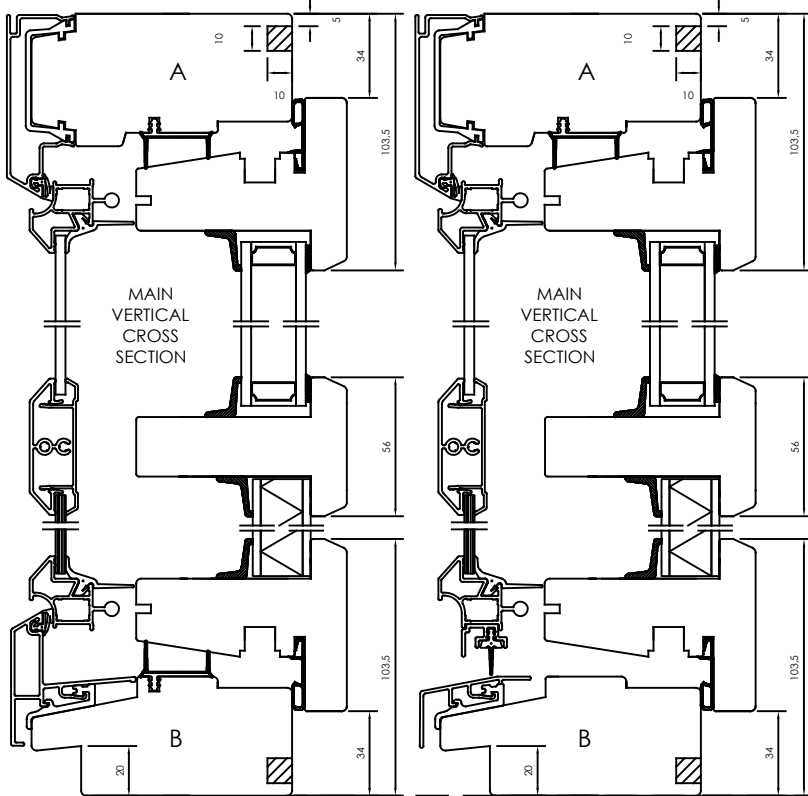
- VARIANT, FITTINGS
- Exterior hinges.
 - Exterior tilt before turn hinges (kipp-dreh).
 - Internal hidden tilt before turn hinges (kipp-dreh).



MAIN HORIZONTAL CROSS SECTION

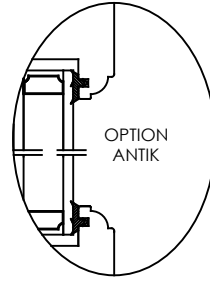
ALL AROUND OPTION
- Internal slot (not for exterior kipp-dreh).

ALL AROUND OPTION
- Internal slot (not for exterior kipp-dreh).



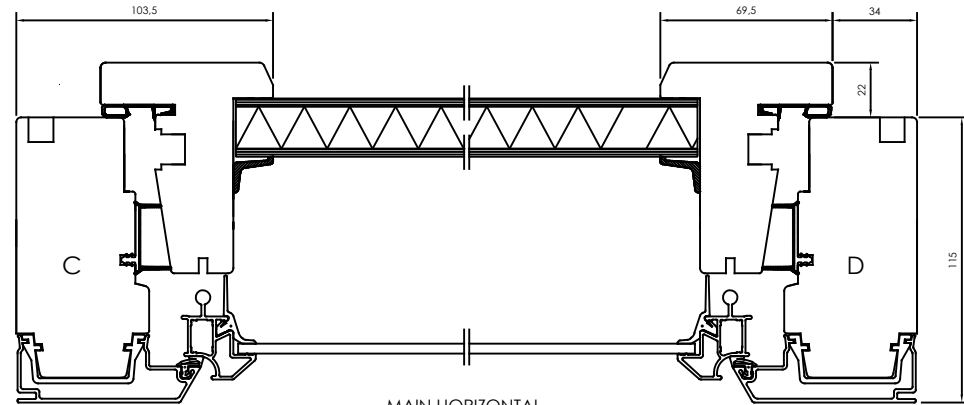
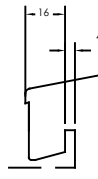
MAIN VERTICAL CROSS SECTION

MAIN VERTICAL CROSS SECTION



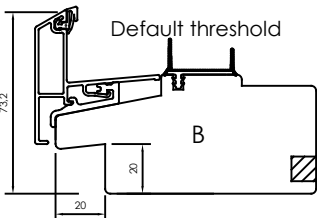
OPTION ANTIK

VERTICAL CS OPTION
- Norwegian nose.

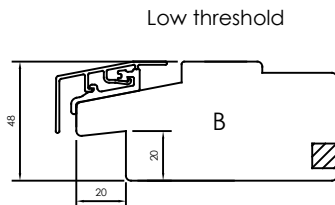


MAIN HORIZONTAL CROSS SECTION

CS = CROSS SECTION



Default threshold



Low threshold

Item	No.	Description	Drawingnumber	Articlenumber
Revision notification			Revised by	Revised date
AM40-20170327TE				
Revision description				
Ytterbåge 376315 utbytt till 378892. Ny glas/dammlist ytterbåge.				
Description		Created by	Created date	
Patio door, Inward opening, coupled 2+1 U-value 0,8		SH	2019-05-17	
Material		General tolerance acc. to ISO2768-1	Processing code	
		ISO 2768-1 m		
Included in product		Included in product family	Article number	
Inward		Side Hung		



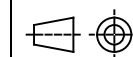
Draw view

Scale

Size

Drawing number

Revision no.



1:2

A3

40-37-W45 E (A)